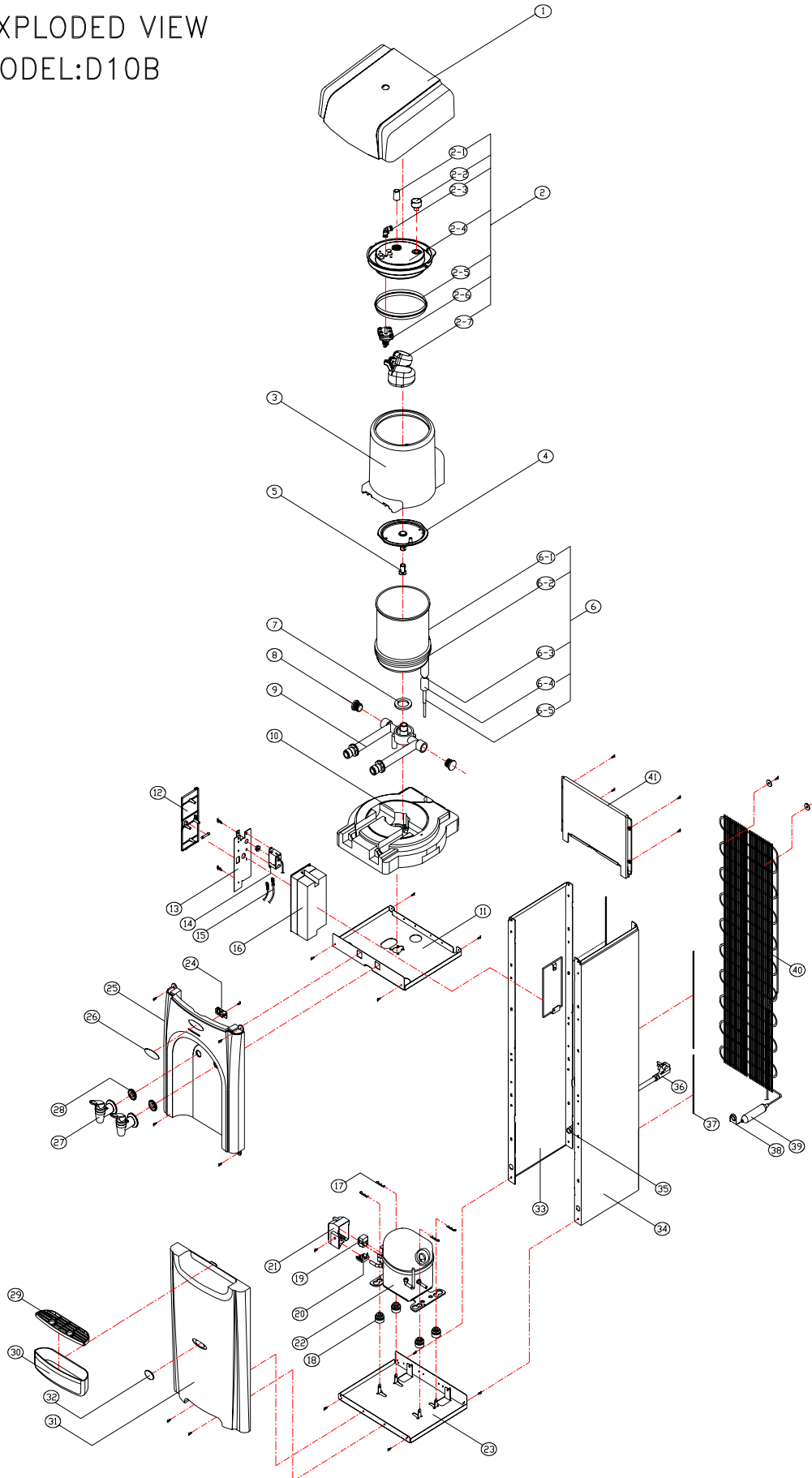


EXPLODED VIEW
MODEL:D10B



D10B SERVICE PARTS LIST

Updated December 30, 2008

No.	Part name	Part No.	Q'ty	No.	Part name	Part No.	Q'ty
1	Top Cover (POU)	03-168	1	16	Box-Control Panel	03-068	1
2	Float Valve Ass'y	25-003	1	17	Split Pin	12-009-001	4
2-1	Float Valve Reset Packing	09-052	1	18	Seat Rubber-Compressor	09-048-002	4
2-2	Air Filter	08-021	1	19	PTC	05-021-003	1
2-3	Elbow Union	10-009-008	1	20	OLP	05-020-003	1
2-4	Float Valve Cover	03-147	1	21	PTC Cover	05-022-001	1
2-5	Packing	09-037-001	1	22	Compressor	05-003B-029	1
2-6	Float Valve Body	03-144	1	23	Base-Compressor	02-060	1
2-7	Float Valve	03-145	1	24	Pcb Display	07-007-006	1
3	Side Insulation-Cold Water Tank	08-022	1	25	Front Panel-Upper	03-119	1
4	Cold Water Baffle	03-107-001	1	26	Logo-Label	11-005-022A	1
5	Cold Water Tank Fitting Nut	03-067	1	27	Faucet Ass'y	23-002A-001A 23-002A-003A	2
6	Cold Water Tank Ass'y	-	1	28	Silicone Washer-Faucet	09-003	2
6-1	Cold Water Tank	02-003-010	1	29	Grid-Drip Tray	03-124	1
6-2	Evaporator Copper Tube	10-002	1	30	Drip Tray	03-123	1
6-3	Cable Tie	17-003	2	31	Front Panel-Lower	03-120	1
6-4	Insulation-Suction Tube	08-005-004	1	32	Lower-Name Plate	03-126	1
6-5	Heat Shrinkable Tube	05-005	1	33	Side Panel-(Right)	02-018-002	1
7	Silicone-Outlet Pipe	09-001	1	34	Side Panel-(Left)	02-018-003	1
8	Plug-Partition Tube	09-039	2	35	Cord Bushing	07-006-003	1
9	Partition Tube	03-113	1	36	Power Supply Cord	07-058-005	1
10	Lower Insulation-Cold Water Tank	08-023-001	1	37	Protector-Side Panel	03-020	4
11	Base-Cold Water Tank	02-061	1	38	Capillary Tube	10-003-001	1
12	Door-Control Panel	03-050	1	39	Drier	05-002-001	1
13	Control Panel	02-024-011	1	40	Wire Condenser	05-008-002	1
14	Cold Water Thermostat	07-001	1	41	Rear Panel	03-049	1
15	Wire Ass'y	07-019-009	1				